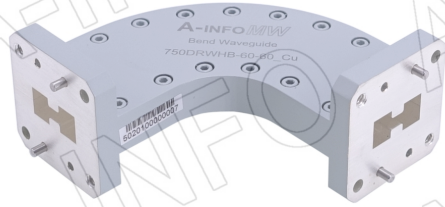


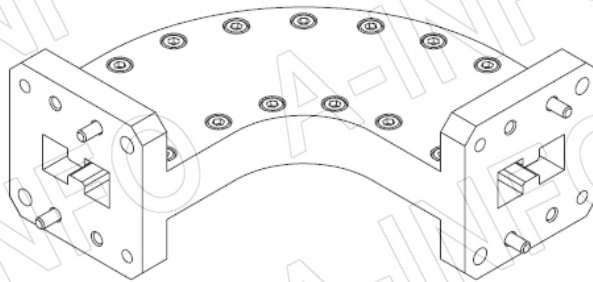
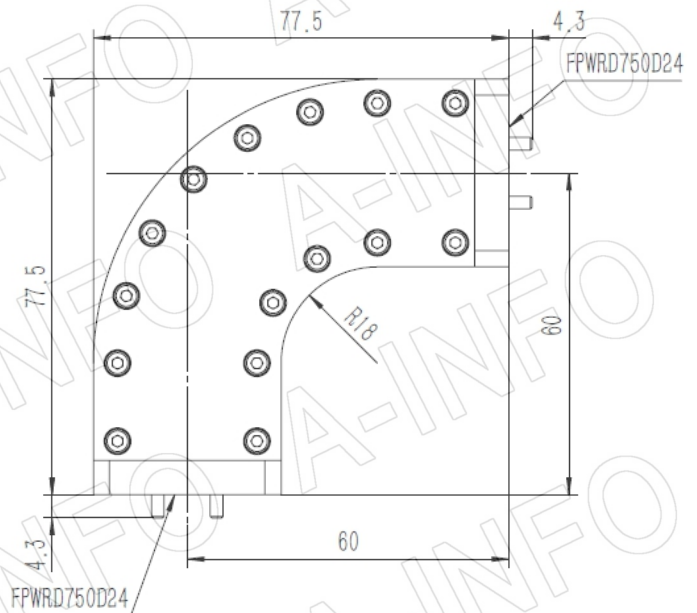
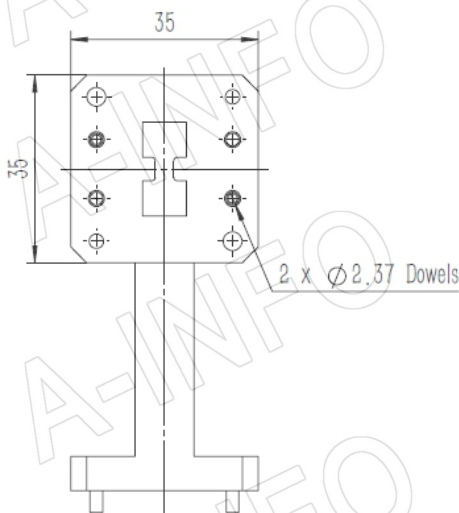
For reference only. See data sheet for the detailed specifications.

## Technical Specification



EIA WR	WRD750
Frequency Range(GHz)	7.5 - 18.0
Insertion Loss(dB)	0.2 Max.
VSWR	1.2:1 Max.
Flange	FPWRD750D24
Material	Cu
Size(mm)	77.5 x 77.5 x 35
Net Weight(Kg)	0.3 Around

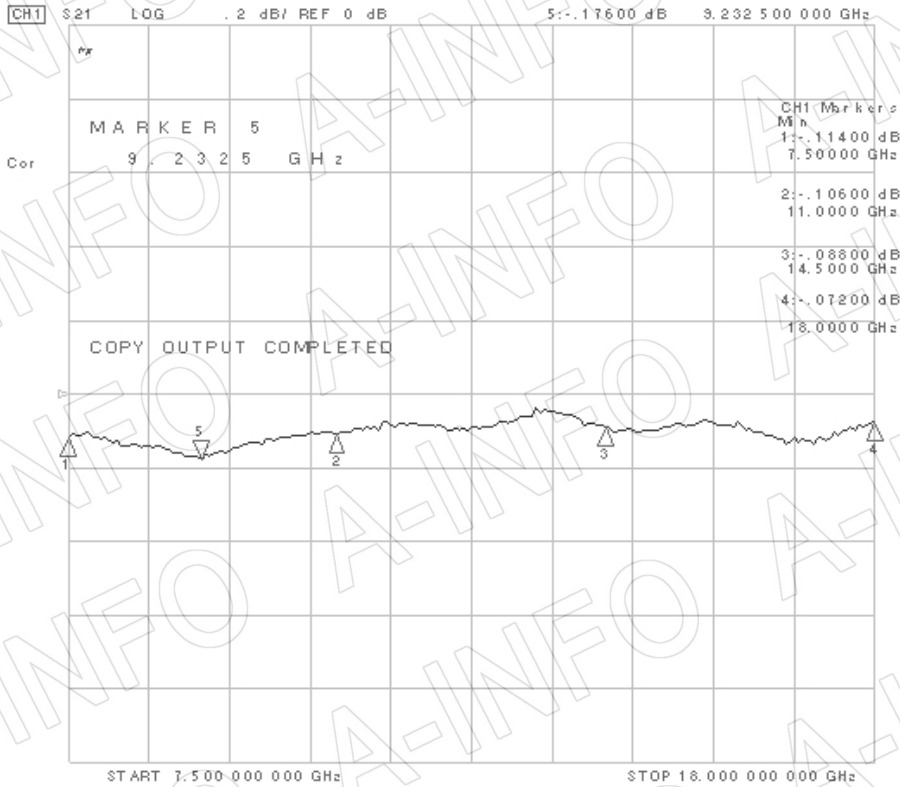
## Outline Drawing (Size: mm)





## Test Results

I.L.



VSWR

